

Fig. 1

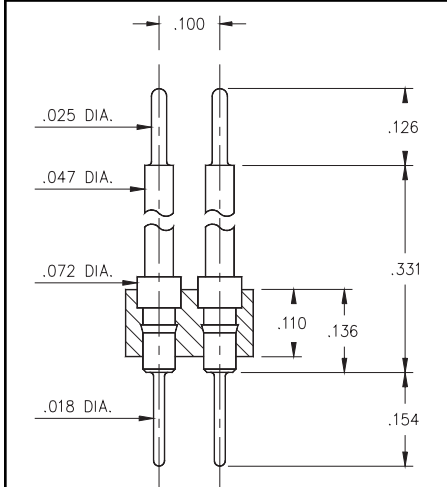


Fig. 2

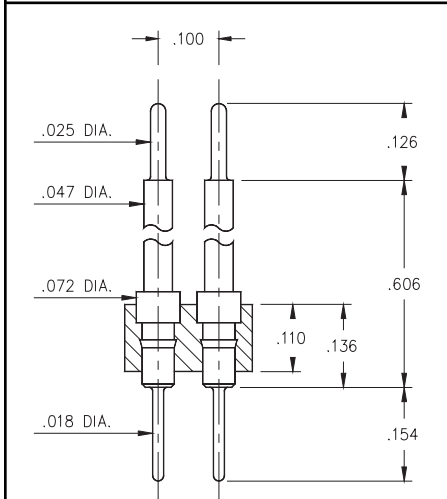


Fig. 3

- Series 451 Interconnect header strips come in three lengths with .018" dia. pluggable solder tails at one end and .025" dia. pins at the other, see series:
451...003 uses pin #5503
451...004 uses pin #5504
451...005 uses pin #5505
- .018" pluggable solder tails are available at both ends, please see series:
451...009 uses pin #5509
451...010 uses pin #5510
451...011 uses pin #5511
See pages 170 & 172 for details.
- Insulators are high temp. thermoplastic.



Ordering Information

| | |
|---------------|---|
| Fig. 1 | Series 451...003 .018 / .025 Solder Tails |
| | 451-XX-2_ _-00-003000 Specify # of pins L → 02-64 |
| Fig. 2 | Series 451...009 .018 / .018 Solder Tails |
| | 451-XX-2_ _-00-009000 Specify # of pins L → 02-64 |
| Fig. 3 | Series 451...004 .018 / .025 Solder Tails |
| | 451-XX-2_ _-00-004000 Specify # of pins L → 02-64 |
| Fig. 3 | Series 451...010 .018 / .018 Solder Tails |
| | 451-XX-2_ _-00-010000 Specify # of pins L → 02-64 |
| Fig. 3 | Series 451...005 .018 / .025 Solder Tails |
| | 451-XX-2_ _-00-005000 Specify # of pins L → 02-64 |
| Fig. 3 | Series 451...011 .018 / .018 Solder Tails |
| | 451-XX-2_ _-00-011000 Specify # of pins L → 02-64 |



XX= Plating Code
See Below

For RoHS compliance
select ◊ plating code.

| | | | | |
|--------------------------|-------------|-------------|-------------|--|
| SPECIFY PLATING CODE XX= | 10 ◊ | 90 | 40 ◊ | |
| Pin Plating | 10μ" Au | 200μ" Sn/Pb | 200μ" Sn | |